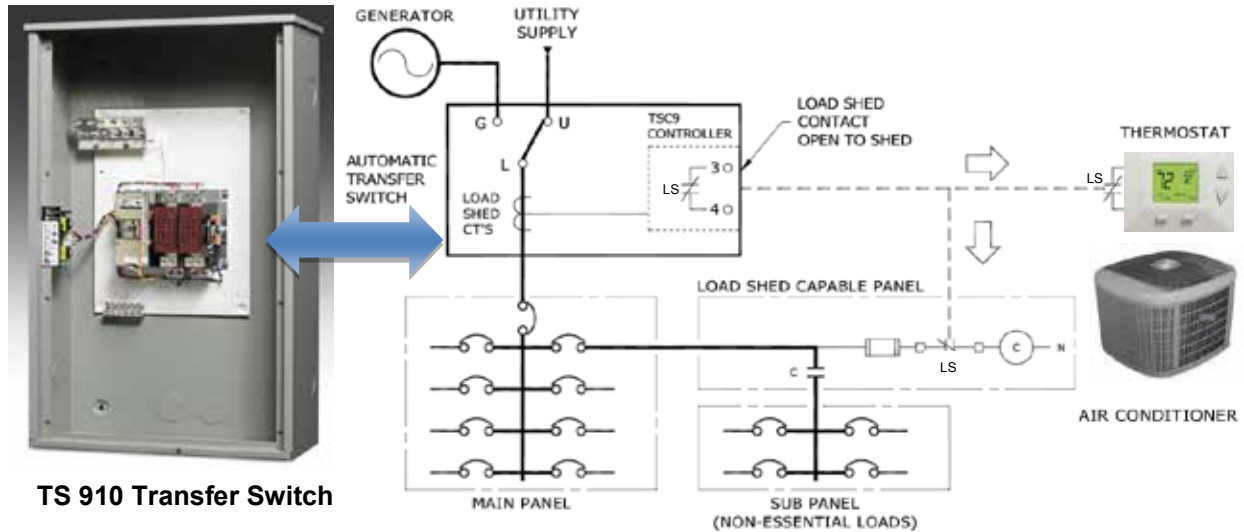


TS 910 KILOWATT LOAD SHED OPTION KIT

Model Series TS 910 KWLS



General Description

The Kilowatt Load Shed kit provides automatic load shedding control by monitoring system kilowatt load levels at the transfer switch. Load shedding is used when generator sets are sized only for partial system load (per NEC article 702) and require automatic controls to shed non-essential loads. The use of kilowatt load shed monitoring provides a key benefit of maximizing available generator capacity where system loads may vary over time versus the traditional use of the generator auxiliary contact method. The kilowatt Load Shed Option Kit utilizes the TSC 9 controller load shed contact to control external non-essential loads. The TSC 9 transfer switch controller provides a load shed light, current transformer input connectors and on-board configuration switches for easy implementation of the Kilowatt Load Shed Option Kit.

KW Load Shed Kit Includes:

- Two field installable Current Transformers (CTs) with secondary voltage output and TSC 9 Transfer Controller connectors (specify 200A or 400A CT primary ratings)
- Instructions for CT installation and set-point configuration on TSC 9 transfer switch controller

Note: The KW Load Shed Kit does not include any external load controlling devices such as load power contactors or distribution sub-panels as maybe required by the application. The TSC 9 Load shed contact is rated for 5A, 240VAC (resistive) maximum.

Ordering Information

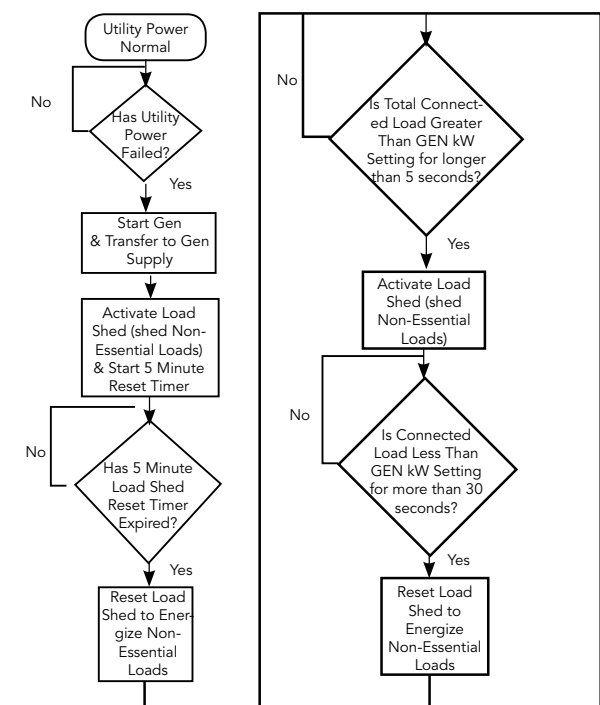
TS910-KWLS1PH2: kW Load Shed, Single Stage, 0-200A Current Transformers

connected to ATS Load Bus

TS910-KWLS1PH4: kW Load Shed, Single Stage, 0-400A Current Transformers

connected to ATS Load Bus

Automatic Operation Sequence



NOTE: Specifications subject to change without notice.

marathon™
Thomson Power Systems



9087A - 198th Street
Langley, BC Canada V1M 3B1
PH: 604-888-0110
FAX: 604-888-3381

www.thomsonps.com



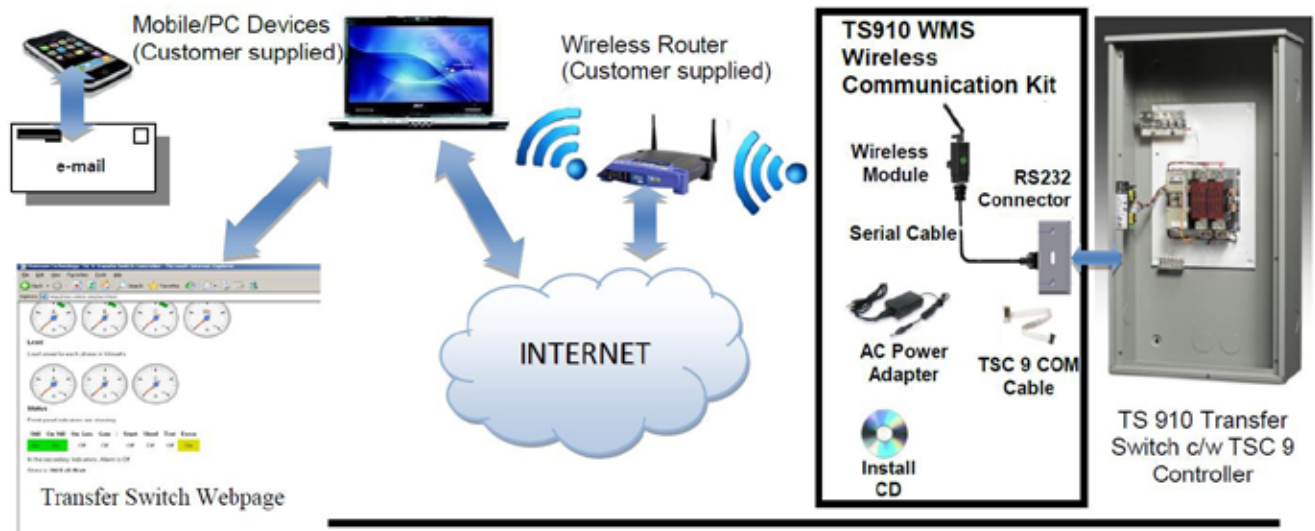
A Regal Brand

REGAL

www.regalbeloit.com

TS 910 WIRELESS MESSAGING SYSTEM OPTION

Model Series TS 910 WMS



TS 910 WMS Main Features

- Thomson Power Systems TS 910 WMS WIFI enables remote events notifications using email or text messaging on mobile devices. E-mails are automatically triggered and sent to the customer when the status of the Automatic Transfer Switch changes or if there is an alarm.
- TS 910 WMS has a built in web server displaying the status of the Automatic Transfer Switch: utility and generator voltages, status LEDs, Automatic Transfer Switch status.

True plug-and-play device networking solutions

- Utility Software provided allows for automatic discovery of the WIFI modules connected to the access point and easy one click access to the configurations page.

Wireless Kit Includes:

- Wireless Module: c/w antenna. For mounting external to transfer switch (within 15 Feet).
- AC Power Adapter: 120V AC power adapter to provide DC power to wireless module.
- RS232 Connector: RS 232 communication port D89 connector with bracket for mounting on the transfer switch enclosure.
- Serial Cable: 15 foot serial cable for hardwired interconnection of wireless module and transfer switch enclosure RS232 port

- TSC 9 COM Cable: Communication cable for inter connection between TSC 9 controller communication port (J6) and enclosure RS232 port.
- Installation CD: CD is supplied with application software and installation instructions for the TS 910 wireless kit.

Specifications

- WEP (Wired Equivalent Privacy) 4/128-bit encryption (RC4)
- Standard: IEEE 802.11b
- WPA2/802.11i Security
- Frequency: 2.4 GHz
- Data rate: Up to 11 Mbps with automatic fallback
- Modulation: CCK (11/5 Mbps), DQPSK (2 Mbps), DBPSK (1 Mbps)
- Transmit power: 16 dBm typical
- Receive sensitivity: -82 dBm @ 11 Mbps
- Antenna connector: 1 x Rp-SMA
- Storage temperature: -40°C to +90°C (-40°F to 194°F)
- Operating temperature: -20°C to +65°C (-4°F to +149°C)
- Relative humidity : 5% to 90% (non-condensing)
- 9-30VDC @ 450mA (DC input power supplied from external 120VAC, 60hz Power Adapter)
- FCC part 15, Subpart B

THOMSON

NOTE: Specifications subject to change without notice.

marathon™
Thomson Power Systems



9087A - 198th Street
Langley, BC Canada V1M 3B1
PH: 604-888-0110
FAX: 604-888-3381

www.thomsonps.com



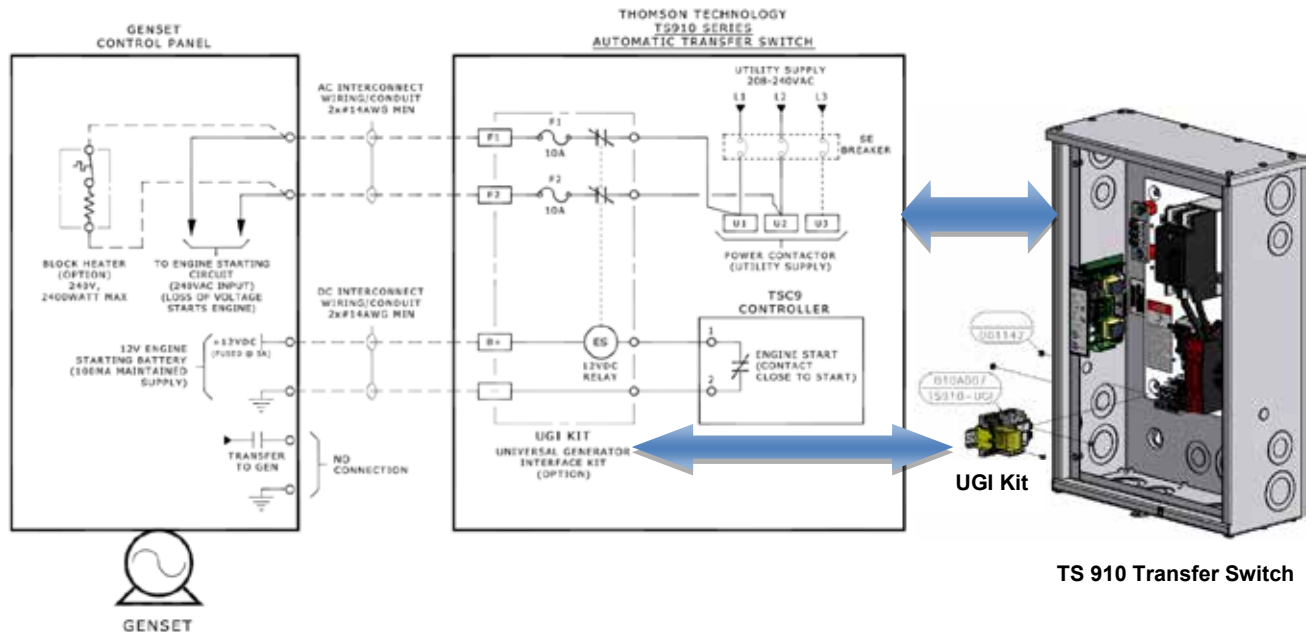
A Regal Brand

REGAL

www.regalbeloit.com

TS 910 UNIVERSAL GENERATOR INTERFACE OPTION KIT

Model Series TS 910 UGI



THOMSON POWER SYSTEMS TS 910 UNIVERSAL GENERATOR INTERFACE KIT FEATURES:

General Description

Thomson Power Systems TS 910 Series of Automatic Transfer Switches are available with a field installable Universal Generator Interface (UGI) Option Kit which allows the Thomson Transfer Switch to be applied with almost any type of generator set used in standby power applications. The UGI kit is used on applications where the generator set starting control does not accept a standard ATS dry contact for start/stop control. The UGI kit allows generator sets with 240VAC start/stop control to be interfaced with the TS 910 series automatic transfer switch. When the UGI kit is installed, it provides fully automatic operation of the transfer switch and generator set to provide standby power when utility power fails. The UGI kit is applicable to 120/240VAC single phase or 120/208VAC 3 Phase transfer switches.

The UGI output signal operates at line to line voltage (i.e. 208VAC or 240VAC) and is provided with 10A fused output for an added benefit of allowing an engine block heater up to 2400 watts to be connected on the same control circuit. When the UGI kit is utilized, the existing generator set "transfer to generator" control signal is not required to be interconnected.

UGI Option Kit Includes:

- Interface 12Vdc control relay, 10A control fuses, interface terminal blocks and control wiring harness with quick-connectors to easily interface with the existing transfer switch.
- Instructions for UGI kit field installation.

Note: the UGI Kit does not include any external wiring from the ATS to the generator set and requires a 12Vdc engine battery starting system.

Ordering Information

TS910-UGI	Universal Generator Interface Kit
-----------	-----------------------------------

NOTE: Specifications subject to change without notice.

marathon™
Thomson Power Systems



9087A - 198th Street
Langley, BC Canada V1M 3B1
PH: 604-888-0110
FAX: 604-888-3381

www.thomsonps.com

©2016 Regal-Beloit Corporation CL074 REV1 16/03/07



A Regal Brand

REGAL

www.regalbeloit.com